

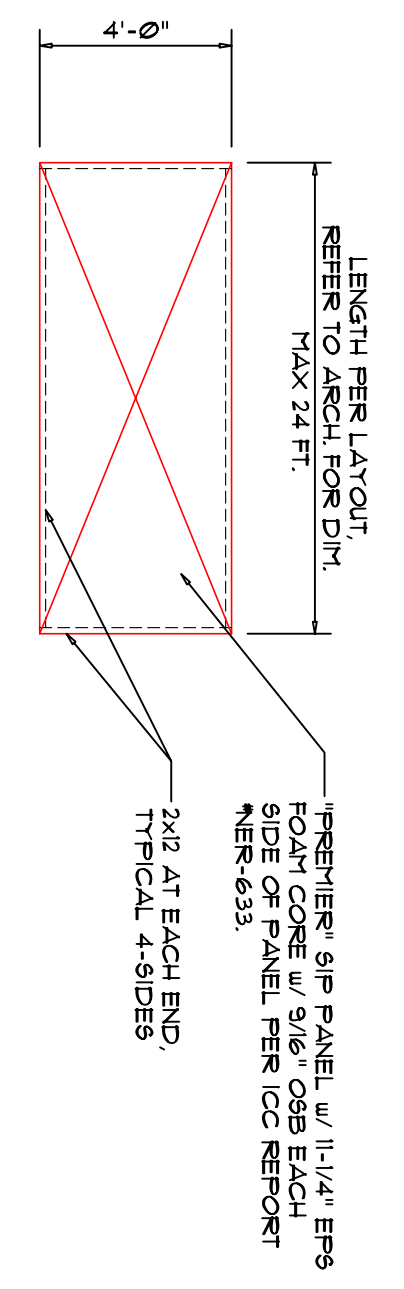
No.	Revision	Date
1	BDOCL REV	11/02/08

MEKECHUK & SINCLAIR RESIDENCE
 17509 VIA SERENO
 MONTE SERENO, CA 95030

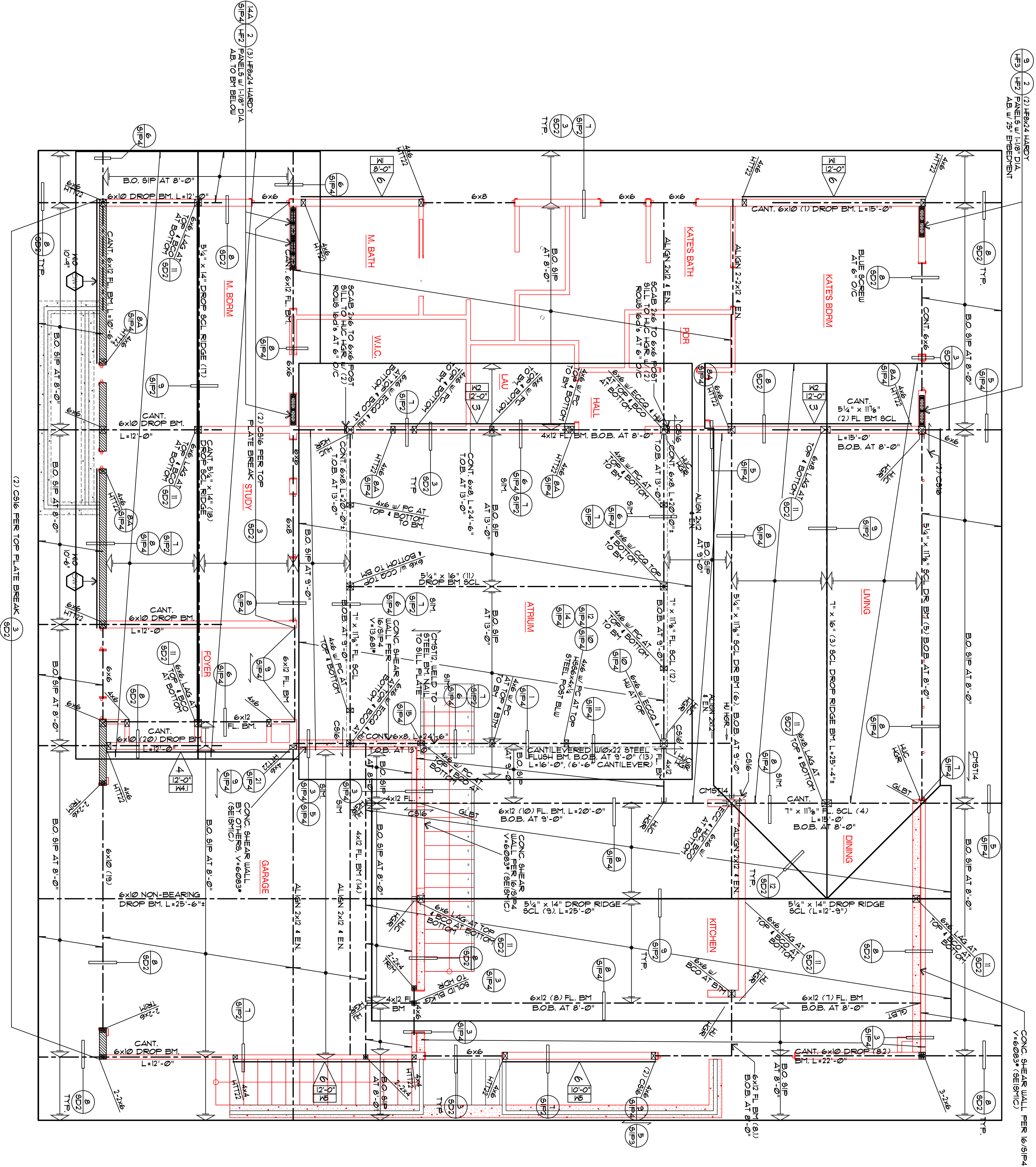
SIP CUSTOM
 SIP ROOF
 FRAMING PLAN

DATE: 11/20/08
 JOB NO.: 08-1126
 SCALE: 1/4" = 1'-0"
 SHEET #

SS



TYP. SIP ROOF PANEL
 SCALE: 1/4" = 1'-0"



SIP WALL & ROOF PANEL LAYOUT
 & ROOF FRAMING PLAN
 SCALE: 1/4" = 1'-0"

FRAMING LEGEND & SYMBOLS

- INDICATES SPAN AND DIRECTION OF SHEAR ON CHIMES
- INDICATES SPAN AND DIRECTION OF ROOF TRUSS OR TRUSS
- INDICATES SPAN AND DIRECTION OF FLOOR TRUSS OR TRUSS
- INDICATES SPAN AND DIRECTION OF DECK TRUSS OR TRUSS
- INDICATES BEAM CALCULATION NUMBER
- INDICATES SHEAR WALL TYPE & LENGTH. REFER TO SHEET 1002 FOR SHEAR WALL INFO.
- INDICATES SIP SHEAR WALL. REFER TO 1002.
- INDICATES DETAIL NUMBER AND SHEET NUMBER. REFER TO SHEET 1002 FOR SHEAR WALL INFO.
- INDICATES BEAM OR HEADER
- INDICATES MINIMUM DEPTH (IN) OF SIP HEADER
- INDICATES SIP STAP ON TOP OR BOTTOM OF SIP PANEL. VALUED TO ALLOW COSTS ON EACH END. MINIMUM BE LONG DATA.
- INDICATES 2X STUD WALL
- INDICATES BEAM OR HEADER
- INDICATES MINIMUM DEPTH (IN) OF SIP HEADER
- INDICATES SIP STAP ON TOP OR BOTTOM OF SIP PANEL. VALUED TO ALLOW COSTS ON EACH END. MINIMUM BE LONG DATA.
- INDICATES DETAIL NUMBER AND SHEET NUMBER. REFER TO SHEET 1002 FOR SHEAR WALL INFO.
- INDICATES BEAM OR HEADER
- INDICATES MINIMUM DEPTH (IN) OF SIP HEADER
- INDICATES SIP STAP ON TOP OR BOTTOM OF SIP PANEL. VALUED TO ALLOW COSTS ON EACH END. MINIMUM BE LONG DATA.

STRUCTURAL COMPOSITE LUMBER 'SCL':

- ALL STRUCTURAL COMPOSITE LUMBER SHALL BE CIP APPROVED.
- THE FOLLOWING TYPES OF STRUCTURAL COMPOSITE LUMBER MAY BE USED FOR BEAM WIDTHS GREATER THAN 3.5":

SCALE TYPE	Ft. (60)	Ft. (60)	E (60)	F (60)	G (60)
PARALLEL STRAND LUMBER (PSL)	3000	288	210		
LAMINATED VENEER LUMBER (LVL)					
WOOD LAMINATED COMPOSITE LUMBER (WLCL)					

GLUE-LAMINATED LUMBER 'GLB':

- REFER TO GENERAL NOTE SHEET 101 FOR ADDITIONAL QUALITY REQUIREMENTS.
- REFER TO GENERAL NOTE SHEET 101 FOR ADDITIONAL QUALITY REQUIREMENTS.
- ALL END BOLDS SHALL BE 1/4" CIP APPROVED MATERIAL WITH A MINIMUM LATERAL LOAD TRANSFER CAPACITY OF 215 LBS.

FRAMING NOTES

- REFER TO STRUCTURAL GENERAL NOTE SHEET AND DETAILS.
- REFER TO MAIN FRAMING PLAN FOR ALL INFORMATION NOT SHOWN ON THIS SHEET.
- TOP PLATE STUDS SHALL BE PROVIDED PER DETAIL SHEET 1002 AT ALL EXTERIOR WALLS AND INTERIOR SHEAR WALLS.
- AND FLOOR SHEATHING REQUIREMENTS.
- 1) SIP PANELS SHALL BE PROVIDED AT ALL SIP PANEL TOP PLATE STUDS REFER TO THE MAIN FRAMING PLAN FOR DETAILS.
- 2) SIP PANELS SHALL BE PROVIDED AT ALL SIP PANEL TOP PLATE STUDS REFER TO THE MAIN FRAMING PLAN FOR DETAILS.
- 3) ALL SIP WALLS SHALL HAVE 80 COMMON NAILING FROM SHEATHING TO WOOD THIS REQUIREMENT FOR ALL SIP WALLS INCLUDING SIP SHEAR WALLS.

SHEARWALL SCHEDULE

SIP WALL	PANEL DESCRIPTION	MIN. HEIGHT	MIN. THICKNESS	MINIMUM NAILING
1	3/4" WOOD STRUCTURAL PANEL	8' 0"	12" OC	11 NAIL @ 6" ON
2	3/4" WOOD STRUCTURAL PANEL	8' 0"	12" OC	11 NAIL @ 6" ON
3	3/4" WOOD STRUCTURAL PANEL	8' 0"	12" OC	11 NAIL @ 6" ON
4	3/4" WOOD STRUCTURAL PANEL	8' 0"	12" OC	11 NAIL @ 6" ON
5	3/4" WOOD STRUCTURAL PANEL	8' 0"	12" OC	11 NAIL @ 6" ON
6	3/4" WOOD STRUCTURAL PANEL	8' 0"	12" OC	11 NAIL @ 6" ON
7	3/4" WOOD STRUCTURAL PANEL	8' 0"	12" OC	11 NAIL @ 6" ON
8	3/4" WOOD STRUCTURAL PANEL	8' 0"	12" OC	11 NAIL @ 6" ON
9	3/4" WOOD STRUCTURAL PANEL	8' 0"	12" OC	11 NAIL @ 6" ON
10	3/4" WOOD STRUCTURAL PANEL	8' 0"	12" OC	11 NAIL @ 6" ON
11	3/4" WOOD STRUCTURAL PANEL	8' 0"	12" OC	11 NAIL @ 6" ON
12	3/4" WOOD STRUCTURAL PANEL	8' 0"	12" OC	11 NAIL @ 6" ON
13	3/4" WOOD STRUCTURAL PANEL	8' 0"	12" OC	11 NAIL @ 6" ON
14	3/4" WOOD STRUCTURAL PANEL	8' 0"	12" OC	11 NAIL @ 6" ON
15	3/4" WOOD STRUCTURAL PANEL	8' 0"	12" OC	11 NAIL @ 6" ON
16	3/4" WOOD STRUCTURAL PANEL	8' 0"	12" OC	11 NAIL @ 6" ON
17	3/4" WOOD STRUCTURAL PANEL	8' 0"	12" OC	11 NAIL @ 6" ON
18	3/4" WOOD STRUCTURAL PANEL	8' 0"	12" OC	11 NAIL @ 6" ON
19	3/4" WOOD STRUCTURAL PANEL	8' 0"	12" OC	11 NAIL @ 6" ON
20	3/4" WOOD STRUCTURAL PANEL	8' 0"	12" OC	11 NAIL @ 6" ON
21	3/4" WOOD STRUCTURAL PANEL	8' 0"	12" OC	11 NAIL @ 6" ON
22	3/4" WOOD STRUCTURAL PANEL	8' 0"	12" OC	11 NAIL @ 6" ON
23	3/4" WOOD STRUCTURAL PANEL	8' 0"	12" OC	11 NAIL @ 6" ON
24	3/4" WOOD STRUCTURAL PANEL	8' 0"	12" OC	11 NAIL @ 6" ON
25	3/4" WOOD STRUCTURAL PANEL	8' 0"	12" OC	11 NAIL @ 6" ON
26	3/4" WOOD STRUCTURAL PANEL	8' 0"	12" OC	11 NAIL @ 6" ON
27	3/4" WOOD STRUCTURAL PANEL	8' 0"	12" OC	11 NAIL @ 6" ON
28	3/4" WOOD STRUCTURAL PANEL	8' 0"	12" OC	11 NAIL @ 6" ON
29	3/4" WOOD STRUCTURAL PANEL	8' 0"	12" OC	11 NAIL @ 6" ON
30	3/4" WOOD STRUCTURAL PANEL	8' 0"	12" OC	11 NAIL @ 6" ON
31	3/4" WOOD STRUCTURAL PANEL	8' 0"	12" OC	11 NAIL @ 6" ON
32	3/4" WOOD STRUCTURAL PANEL	8' 0"	12" OC	11 NAIL @ 6" ON
33	3/4" WOOD STRUCTURAL PANEL	8' 0"	12" OC	11 NAIL @ 6" ON
34	3/4" WOOD STRUCTURAL PANEL	8' 0"	12" OC	11 NAIL @ 6" ON
35	3/4" WOOD STRUCTURAL PANEL	8' 0"	12" OC	11 NAIL @ 6" ON
36	3/4" WOOD STRUCTURAL PANEL	8' 0"	12" OC	11 NAIL @ 6" ON
37	3/4" WOOD STRUCTURAL PANEL	8' 0"	12" OC	11 NAIL @ 6" ON
38	3/4" WOOD STRUCTURAL PANEL	8' 0"	12" OC	11 NAIL @ 6" ON
39	3/4" WOOD STRUCTURAL PANEL	8' 0"	12" OC	11 NAIL @ 6" ON
40	3/4" WOOD STRUCTURAL PANEL	8' 0"	12" OC	11 NAIL @ 6" ON
41	3/4" WOOD STRUCTURAL PANEL	8' 0"	12" OC	11 NAIL @ 6" ON
42	3/4" WOOD STRUCTURAL PANEL	8' 0"	12" OC	11 NAIL @ 6" ON
43	3/4" WOOD STRUCTURAL PANEL	8' 0"	12" OC	11 NAIL @ 6" ON
44	3/4" WOOD STRUCTURAL PANEL	8' 0"	12" OC	11 NAIL @ 6" ON
45	3/4" WOOD STRUCTURAL PANEL	8' 0"	12" OC	11 NAIL @ 6" ON
46	3/4" WOOD STRUCTURAL PANEL	8' 0"	12" OC	11 NAIL @ 6" ON
47	3/4" WOOD STRUCTURAL PANEL	8' 0"	12" OC	11 NAIL @ 6" ON
48	3/4" WOOD STRUCTURAL PANEL	8' 0"	12" OC	11 NAIL @ 6" ON
49	3/4" WOOD STRUCTURAL PANEL	8' 0"	12" OC	11 NAIL @ 6" ON
50	3/4" WOOD STRUCTURAL PANEL	8' 0"	12" OC	11 NAIL @ 6" ON

FLOOR SHEATHING SCHEDULE AT NON-SIP

WALL IDENTIFICATION	PANEL SIZE	THICKNESS	EDGE CODE
1	2'-0" x 1'-0"	5/8"	1
2	2'-0" x 1'-0"	5/8"	1
3	2'-0" x 1'-0"	5/8"	1
4	2'-0" x 1'-0"	5/8"	1
5	2'-0" x 1'-0"	5/8"	1
6	2'-0" x 1'-0"	5/8"	1
7	2'-0" x 1'-0"	5/8"	1
8	2'-0" x 1'-0"	5/8"	1
9	2'-0" x 1'-0"	5/8"	1
10	2'-0" x 1'-0"	5/8"	1
11	2'-0" x 1'-0"	5/8"	1
12	2'-0" x 1'-0"	5/8"	1
13	2'-0" x 1'-0"	5/8"	1
14	2'-0" x 1'-0"	5/8"	1
15	2'-0" x 1'-0"	5/8"	1
16	2'-0" x 1'-0"	5/8"	1
17	2'-0" x 1'-0"	5/8"	1
18	2'-0" x 1'-0"	5/8"	1
19	2'-0" x 1'-0"	5/8"	1
20	2'-0" x 1'-0"	5/8"	1
21	2'-0" x 1'-0"	5/8"	1
22	2'-0" x 1'-0"	5/8"	1
23	2'-0" x 1'-0"	5/8"	1
24	2'-0" x 1'-0"	5/8"	1
25	2'-0" x 1'-0"	5/8"	1
26	2'-0" x 1'-0"	5/8"	1
27	2'-0" x 1'-0"	5/8"	1
28	2'-0" x 1'-0"	5/8"	1
29	2'-0" x 1'-0"	5/8"	1
30	2'-0" x 1'-0"	5/8"	1
31	2'-0" x 1'-0"	5/8"	1
32	2'-0" x 1'-0"	5/8"	1
33	2'-0" x 1'-0"	5/8"	1
34	2'-0" x 1'-0"	5/8"	1
35	2'-0" x 1'-0"	5/8"	1
36	2'-0" x 1'-0"	5/8"	1
37	2'-0" x 1'-0"	5/8"	1
38	2'-0" x 1'-0"	5/8"	1
39	2'-0" x 1'-0"	5/8"	1
40	2'-0" x 1'-0"	5/8"	1
41	2'-0" x 1'-0"	5/8"	1
42	2'-0" x 1'-0"	5/8"	1
43	2'-0" x 1'-0"	5/8"	1
44	2'-0" x 1'-0"	5/8"	1
45	2'-0" x 1'-0"	5/8"	1
46	2'-0" x 1'-0"	5/8"	1
47	2'-0" x 1'-0"	5/8"	1
48	2'-0" x 1'-0"	5/8"	1
49	2'-0" x 1'-0"	5/8"	1
50	2'-0" x 1'-0"	5/8"	1