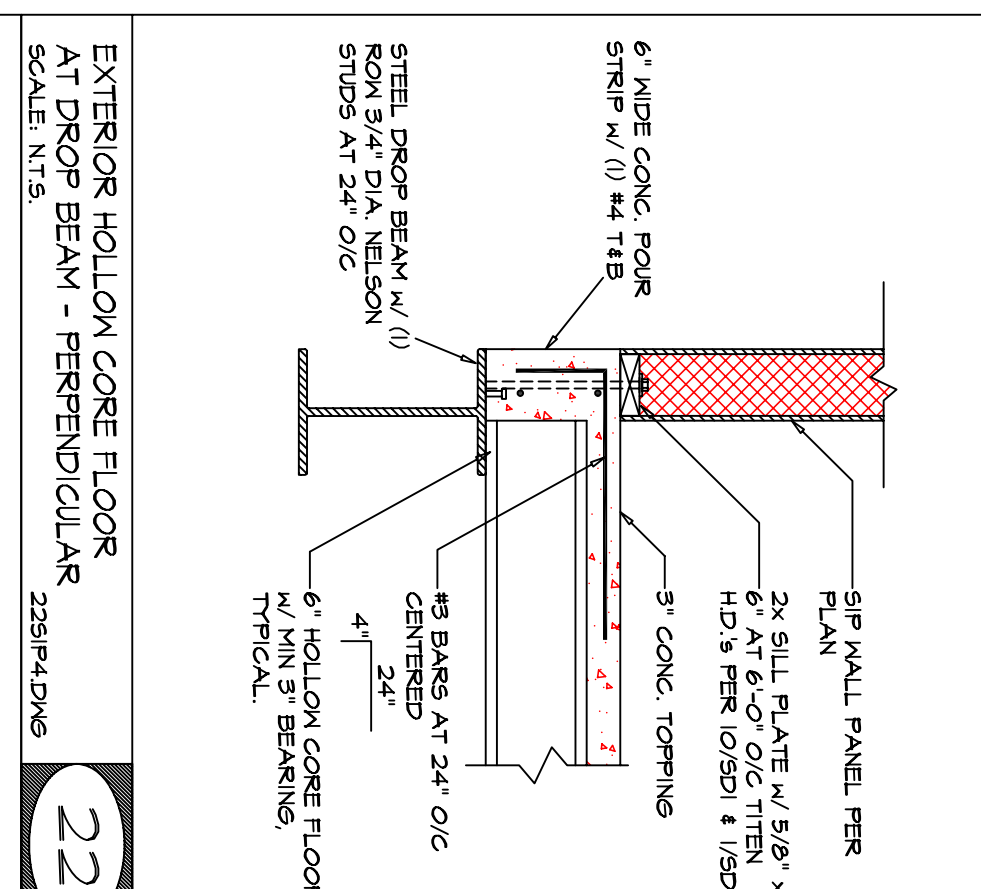
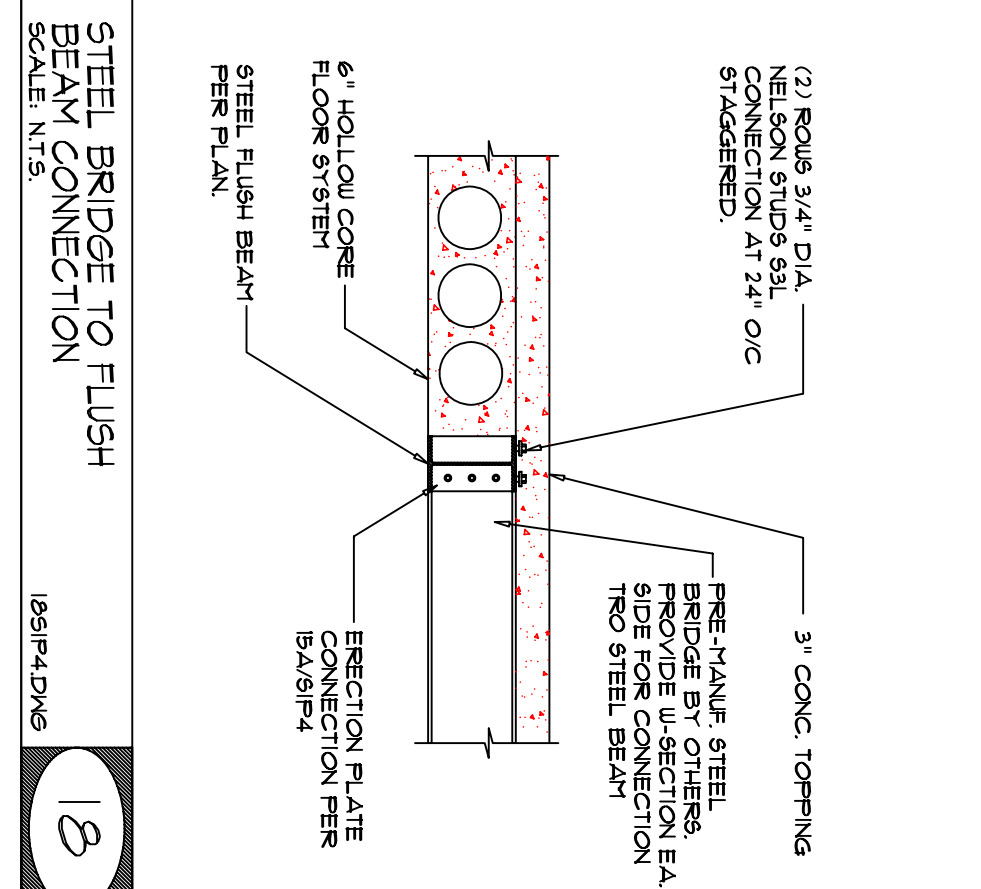


No.:	Revision:	Date:
BOOOL REV 11/02/08		

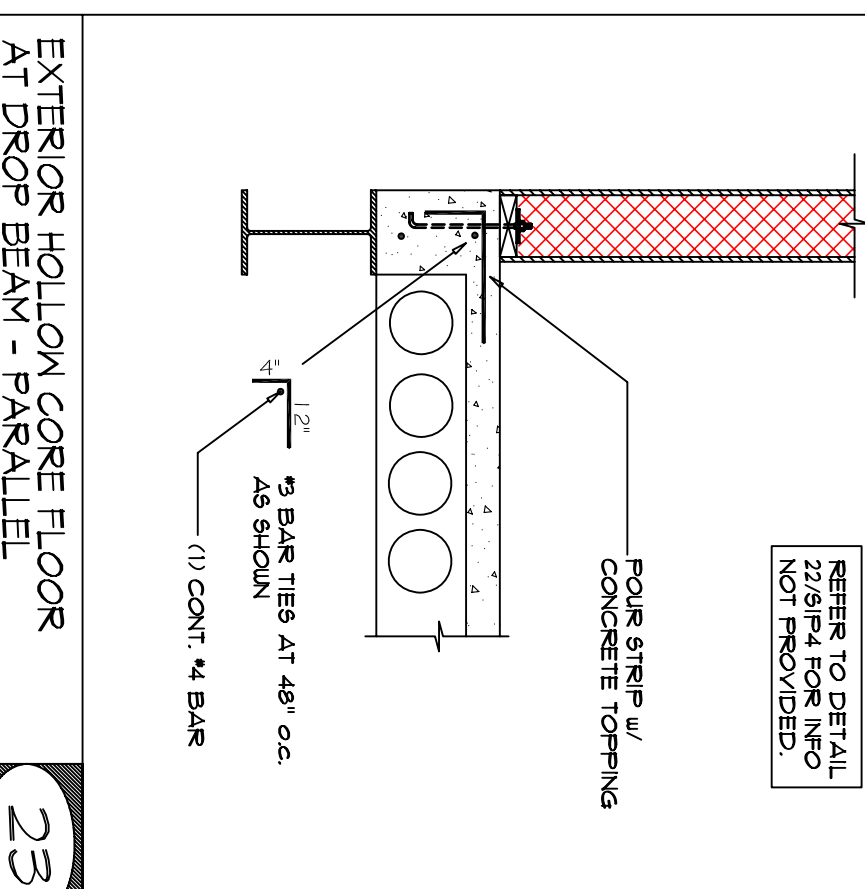
SIP CUSTOM
STRUCTURAL DETAILS
JOB NO.: 08-1126
DATE: 11/20/08
SCALE: N.T.S.
SHEET #



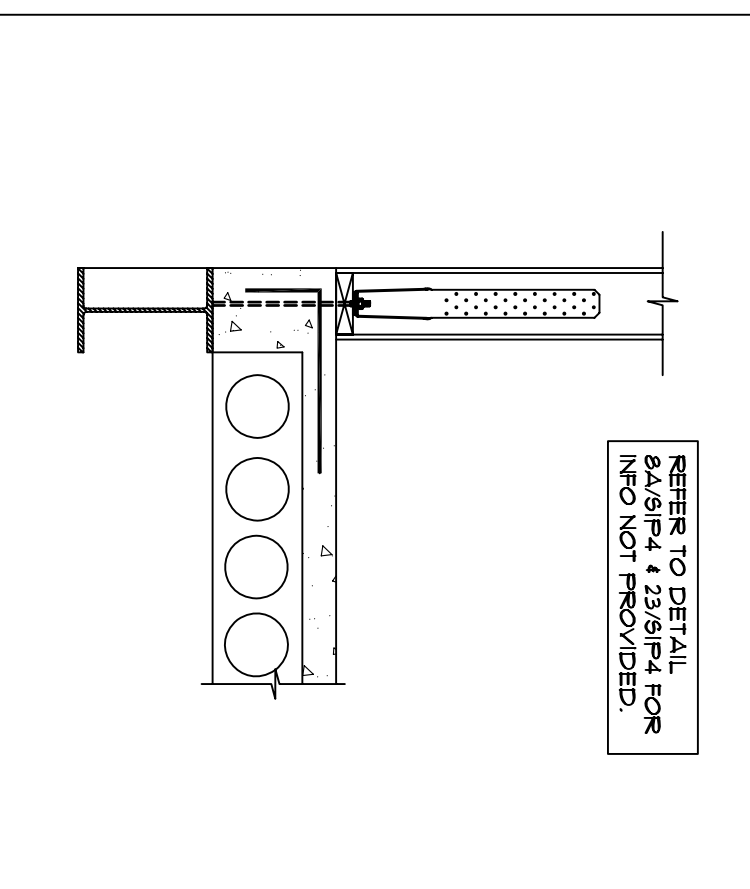
22 EXTERIOR HOLLOW CORE FLOOR AT DROP BEAM - PERPENDICULAR SCALE: N.T.S.



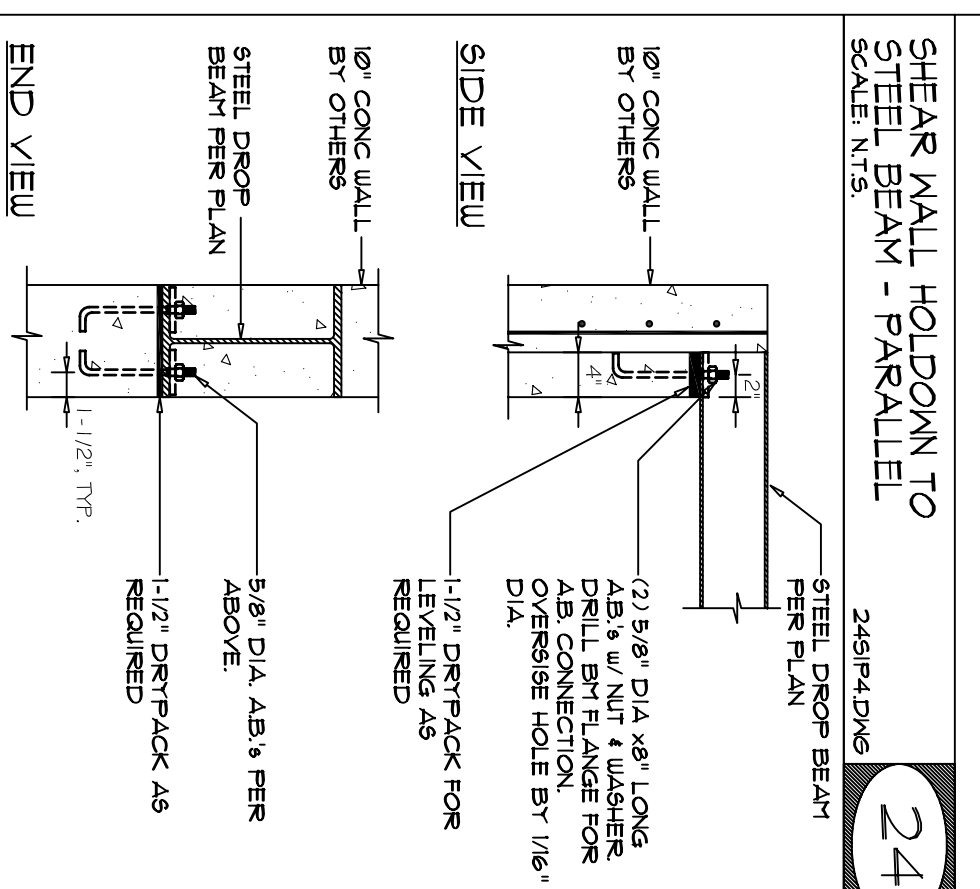
18 STEEL BRIDGE TO FLUSH BEAM CONNECTION SCALE: N.T.S.



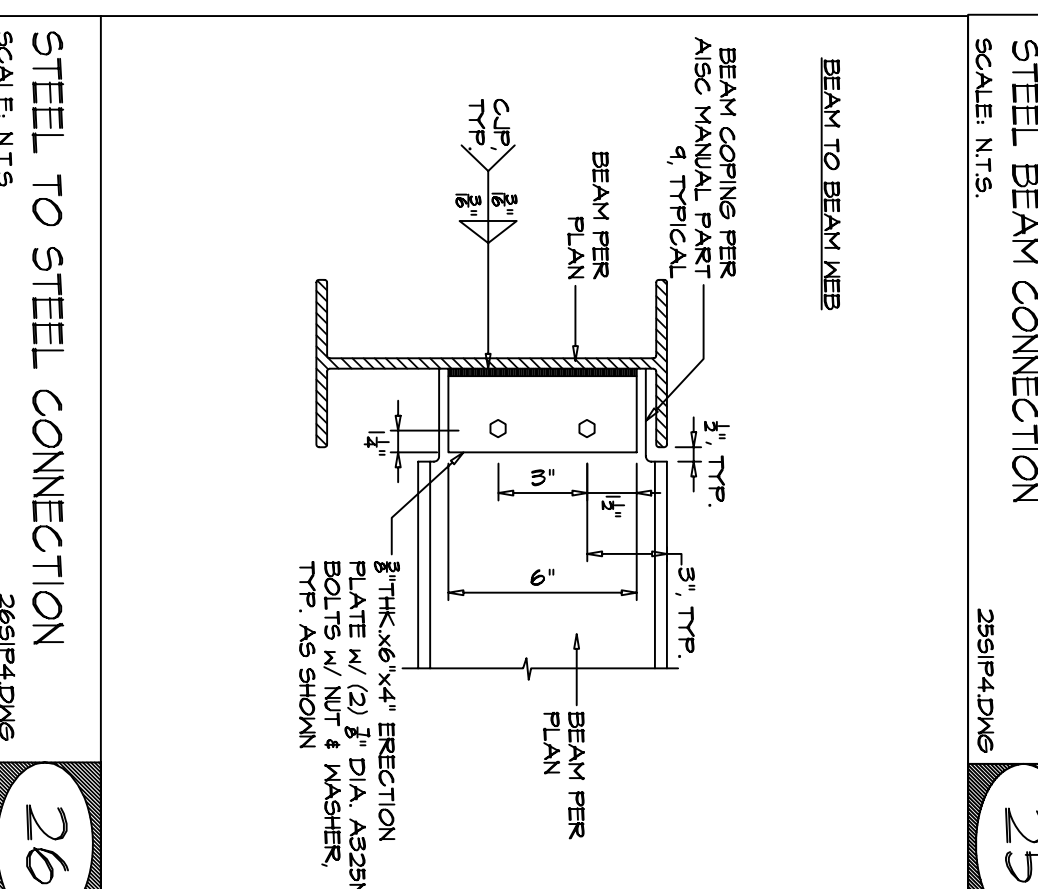
23 EXTERIOR HOLLOW CORE FLOOR AT DROP BEAM - PARALLEL SCALE: N.T.S.



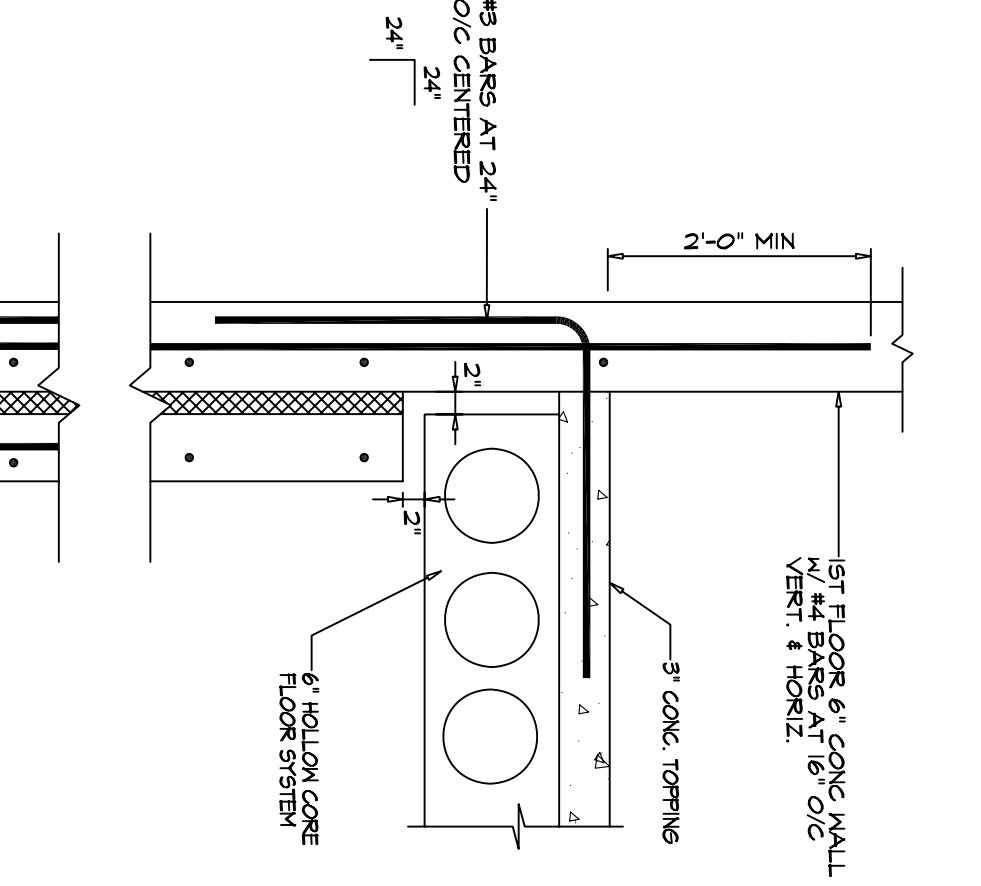
24 SHEAR WALL HOLD-DOWN TO STEEL BEAM - PARALLEL SCALE: N.T.S.



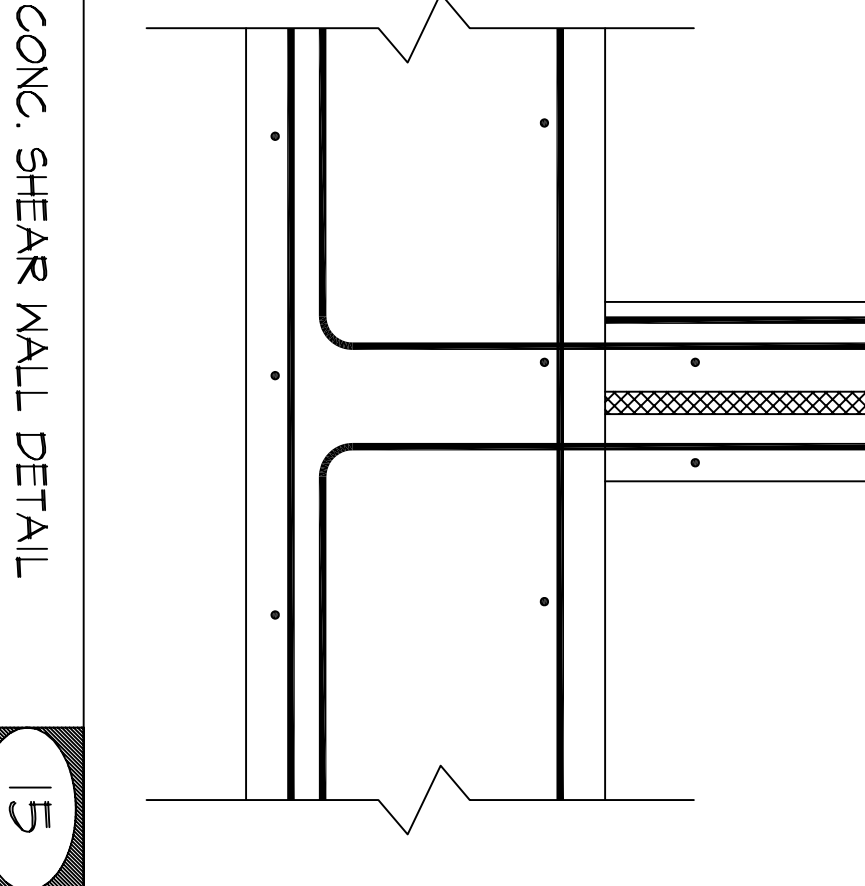
25 END VIEW STEEL BEAM CONNECTION SCALE: N.T.S.



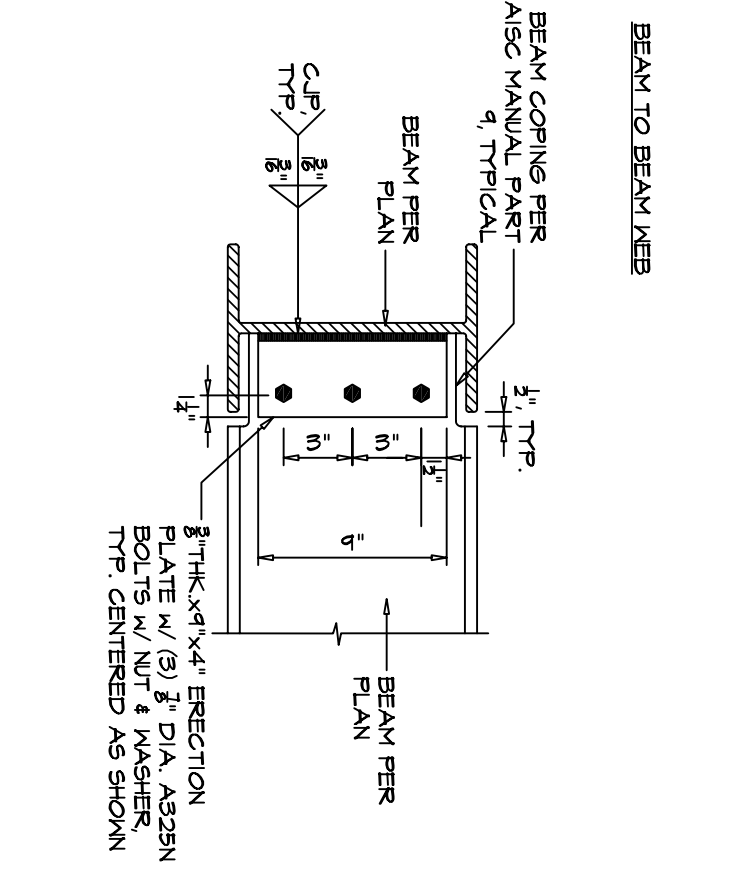
26 STEEL TO STEEL CONNECTION SCALE: N.T.S.



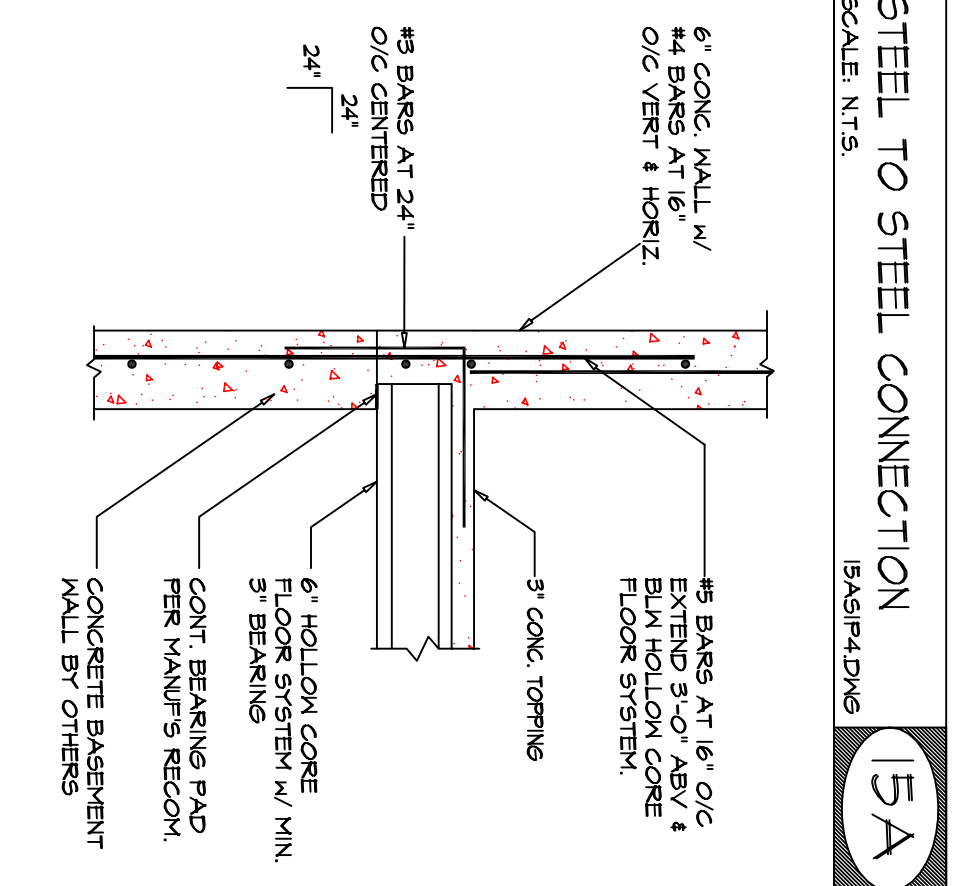
19 HOLLOW CORE W/ STEEL BEAM AT EXTERIOR CONC WALL SCALE: N.T.S.



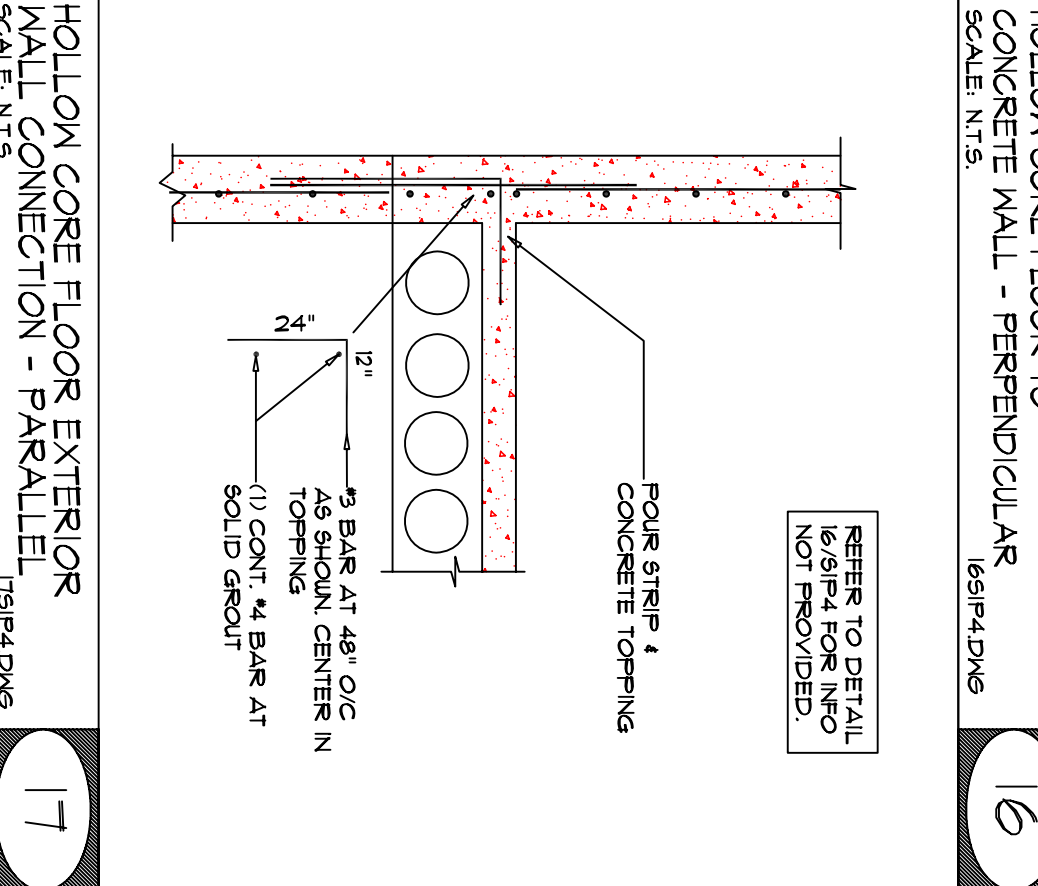
15 CONC. SHEAR WALL DETAIL SCALE: N.T.S.



16 HOLLOW CORE FLOOR TO CONCRETE WALL - PERPENDICULAR SCALE: N.T.S.



20 INTERIOR SHEAR WALL AT HOLLOW CORE FLOOR SCALE: N.T.S.

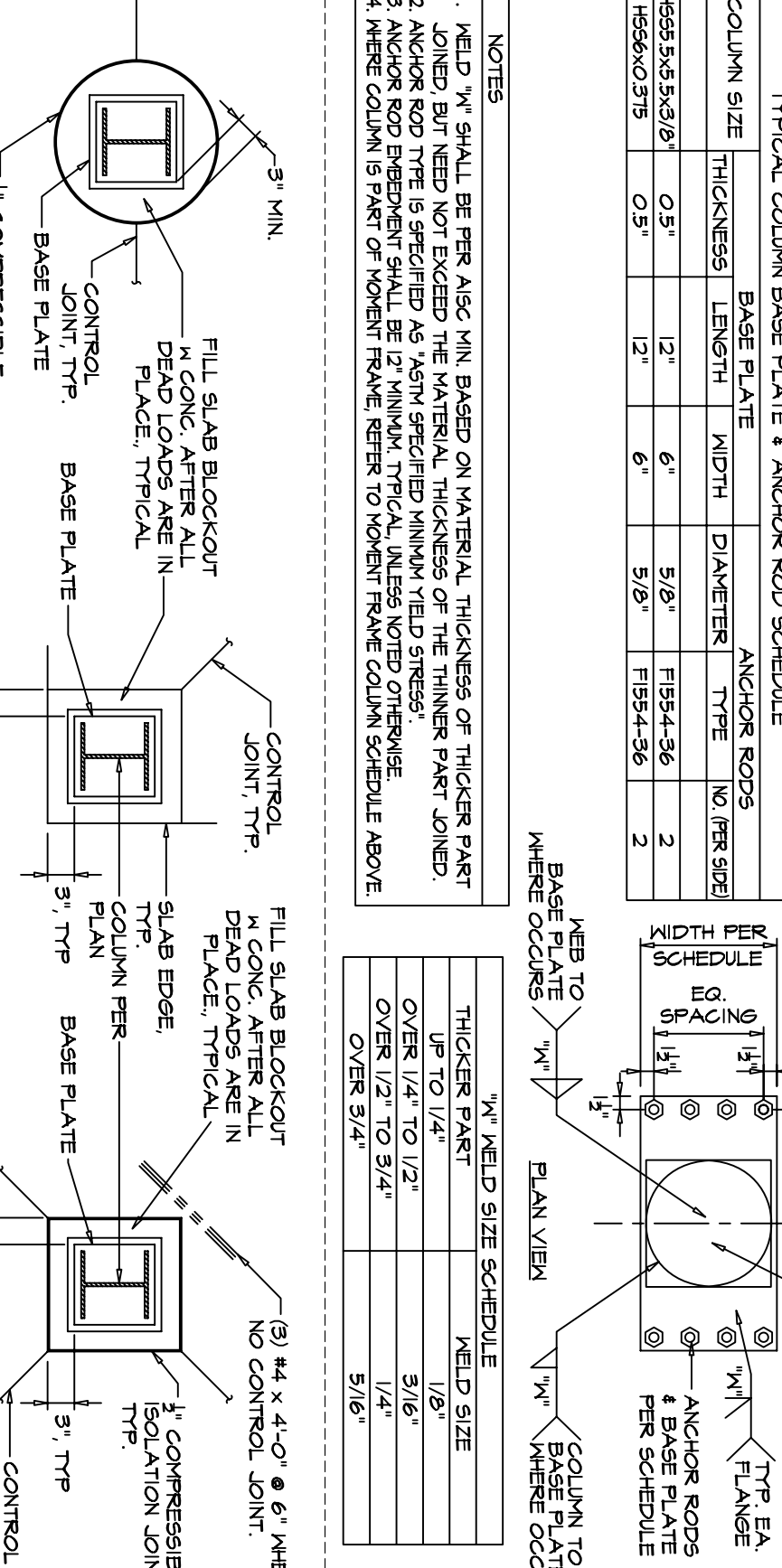


21 INTERIOR 3/4\"/>

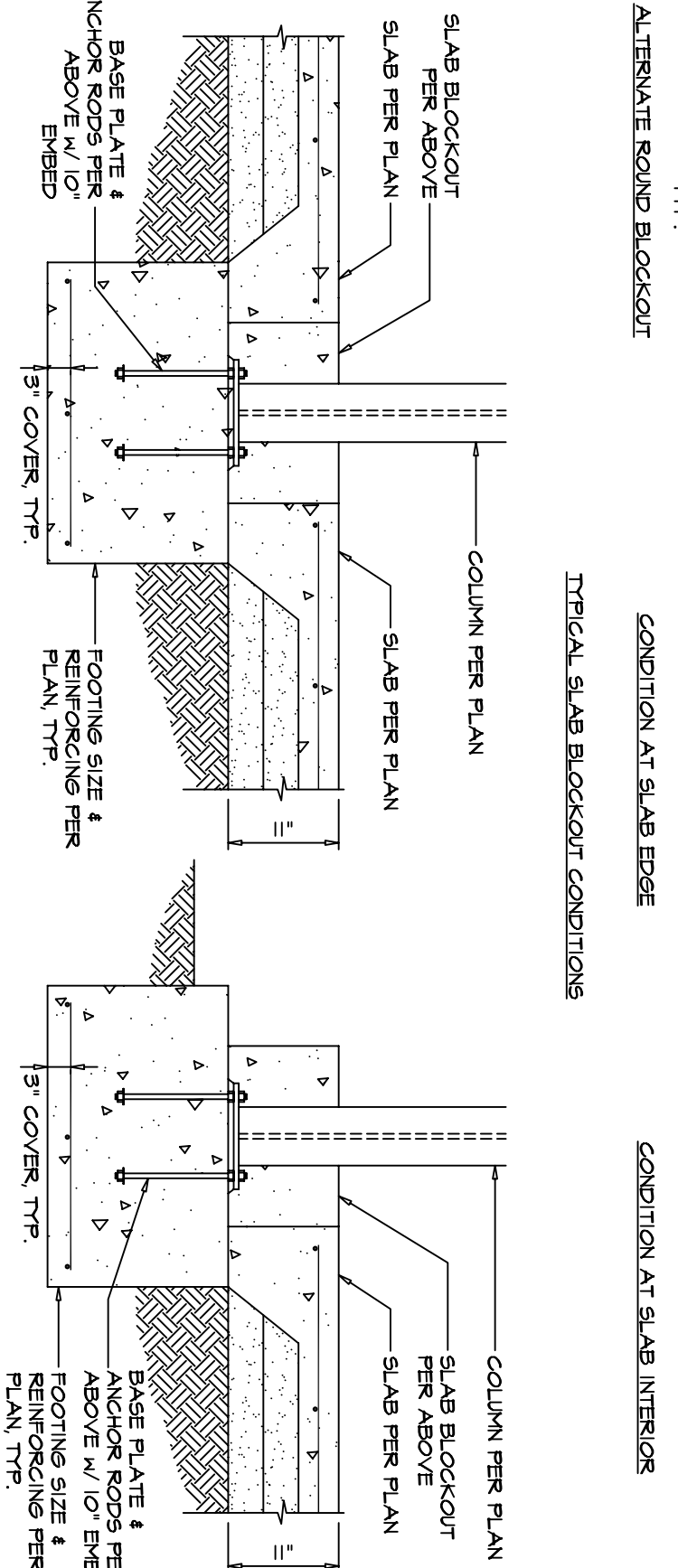
HOLLOW CORE COLUMN BASE PLATE & ANCHOR ROD SCHEDULE

COL. DIA.	COL. WALL THICKNESS	ANCHOR ROD DIA.	ANCHOR ROD LENGTH	ANCHOR ROD TYPE	W/ WELDED	W/ UNWELDED
12"	12"	1/2"	12"	A307	2	2
14"	14"	3/4"	14"	A307	2	2
16"	16"	1"	16"	A307	2	2
18"	18"	1 1/4"	18"	A307	2	2
20"	20"	1 1/2"	20"	A307	2	2
22"	22"	1 3/4"	22"	A307	2	2
24"	24"	2"	24"	A307	2	2

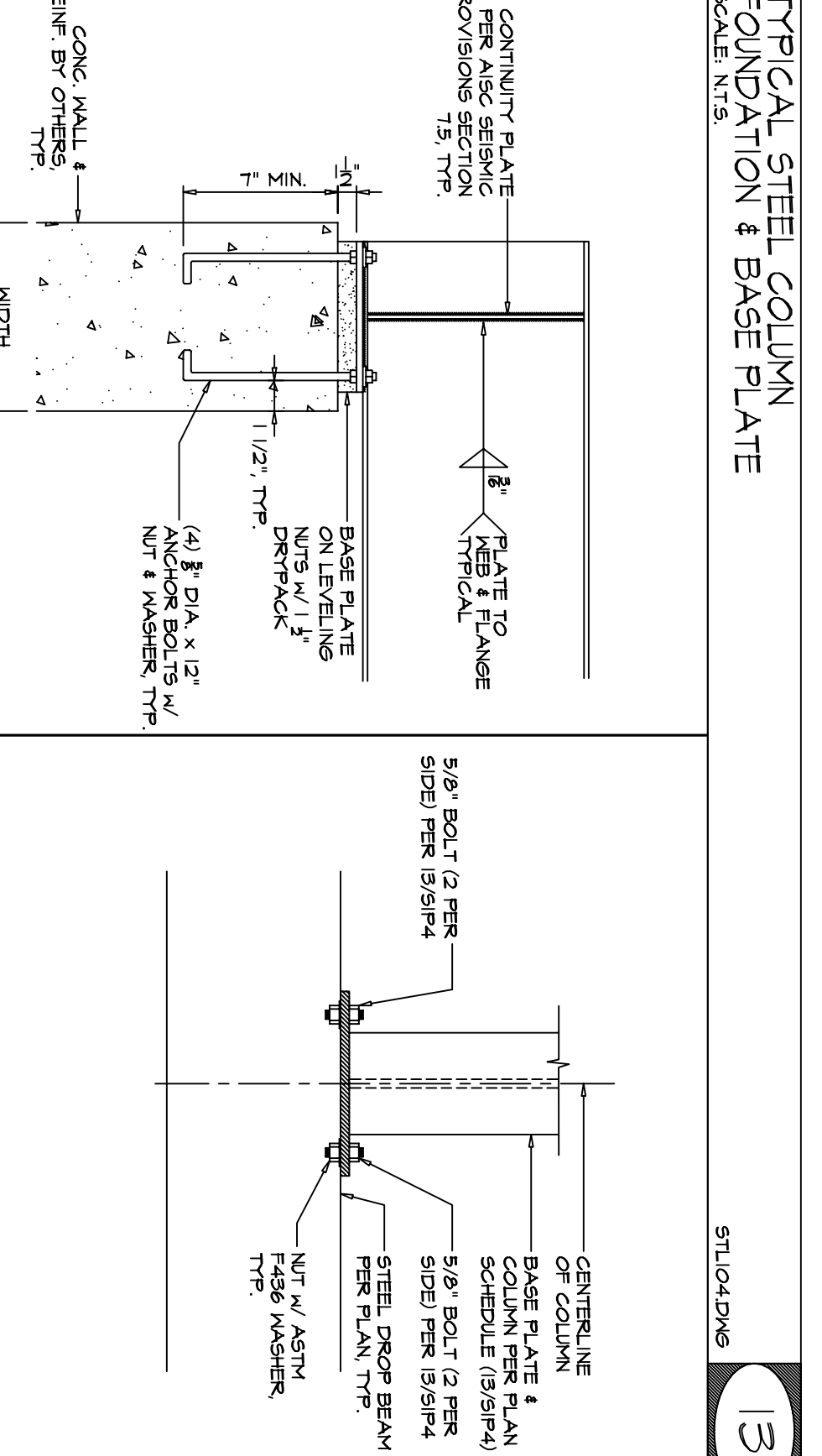
NOTES:
 1. ALL ANCHOR RODS SHALL BE A307 UNLESS OTHERWISE SPECIFIED.
 2. ALL ANCHOR RODS SHALL BE WELDED UNLESS OTHERWISE SPECIFIED.
 3. ALL ANCHOR RODS SHALL BE WELDED UNLESS OTHERWISE SPECIFIED.
 4. ALL ANCHOR RODS SHALL BE WELDED UNLESS OTHERWISE SPECIFIED.
 5. ALL ANCHOR RODS SHALL BE WELDED UNLESS OTHERWISE SPECIFIED.



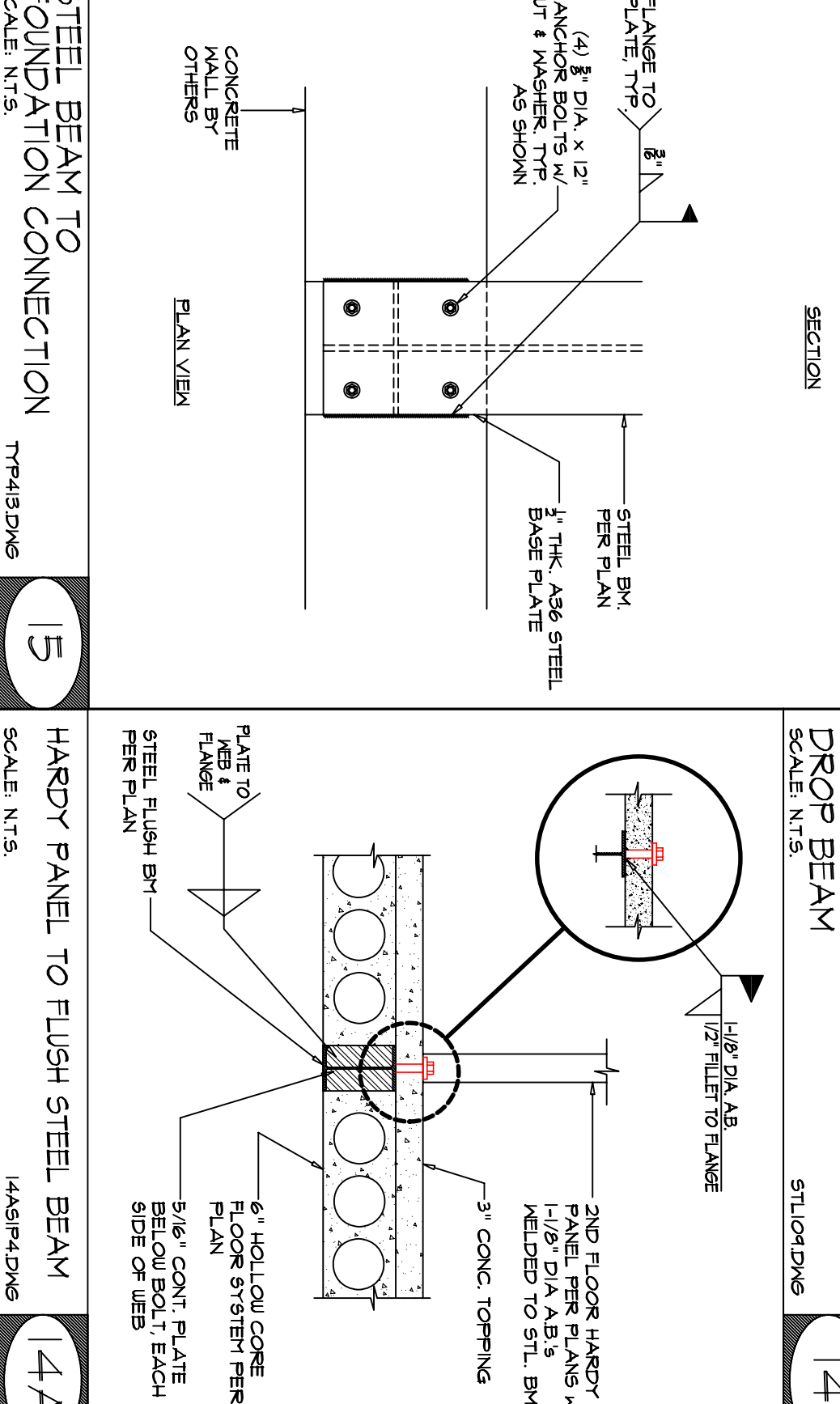
13 TYPICAL STEEL COLUMN FOUNDATION & BASE PLATE SCALE: N.T.S.



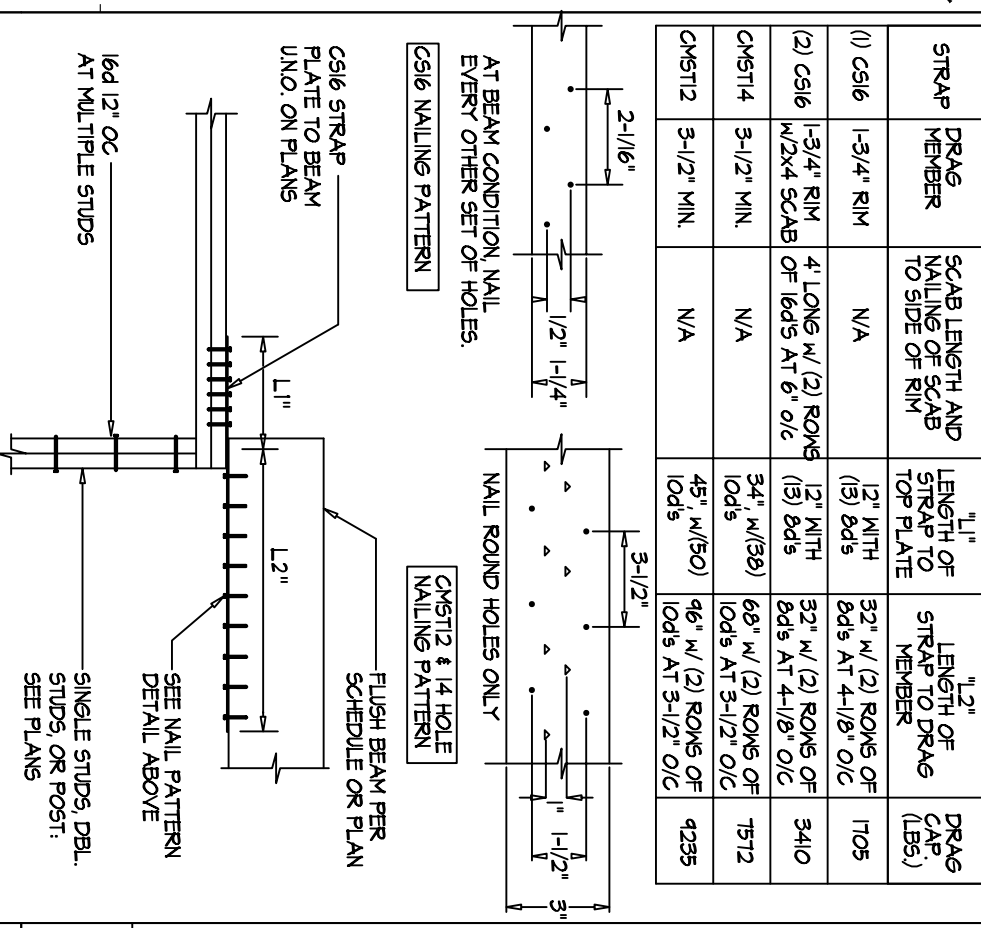
14 HOLLOW CORE WALL - PERPENDICULAR SCALE: N.T.S.



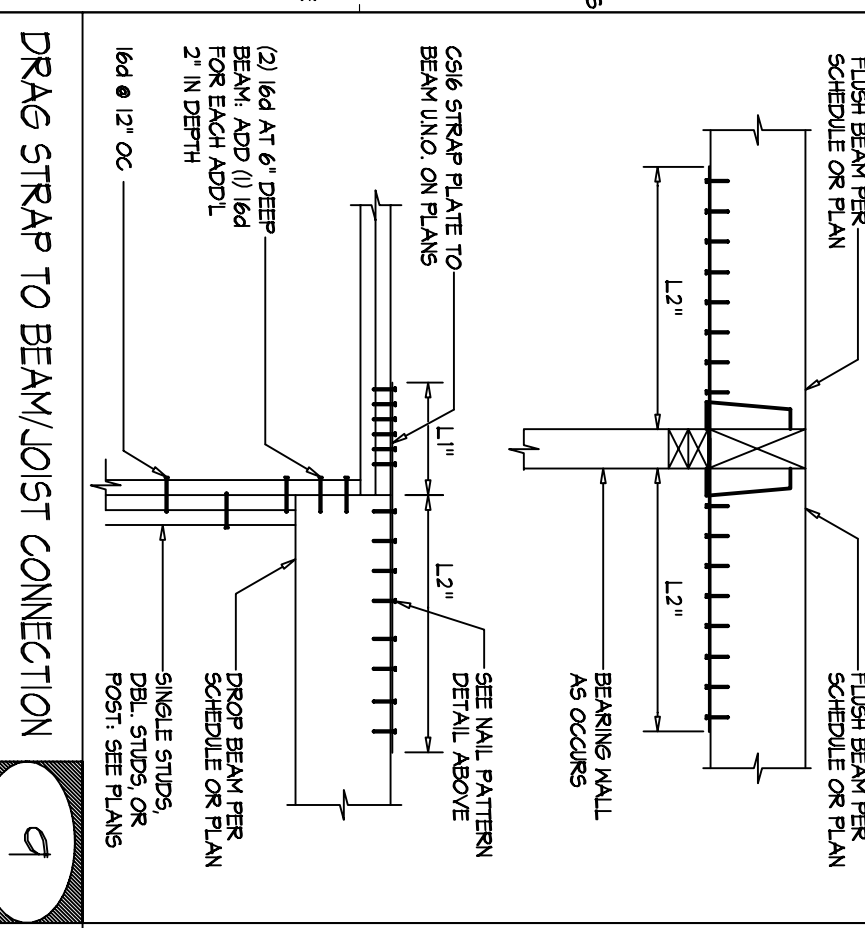
17 HOLLOW CORE FLOOR EXTERIOR WALL CONNECTION - PARALLEL SCALE: N.T.S.



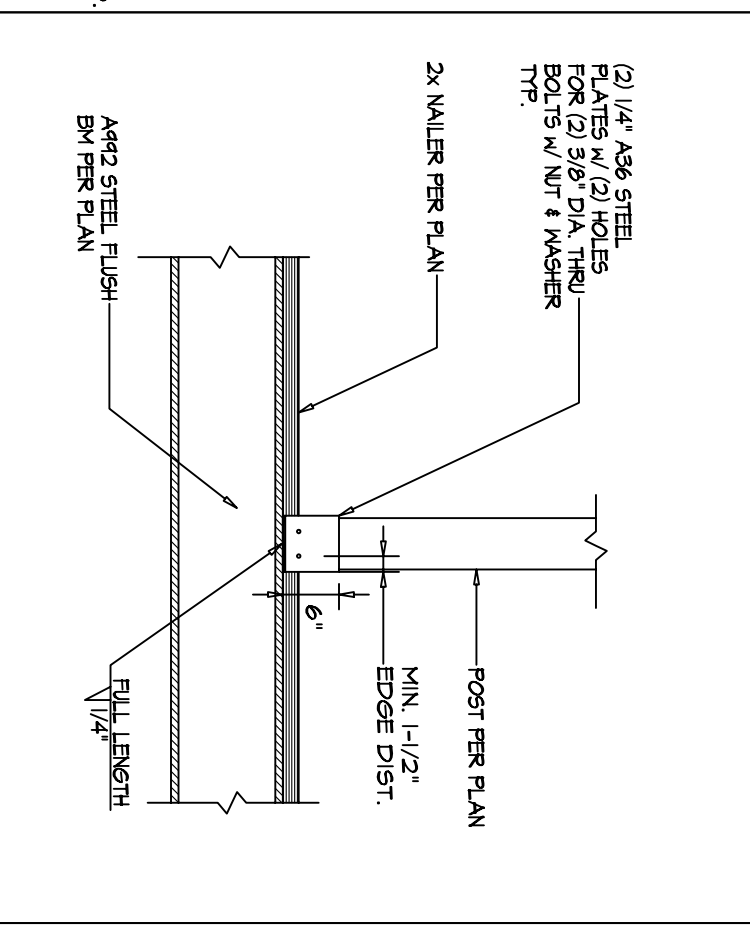
15 STEEL BEAM TO CONCRETE FOUNDATION CONNECTION SCALE: N.T.S.



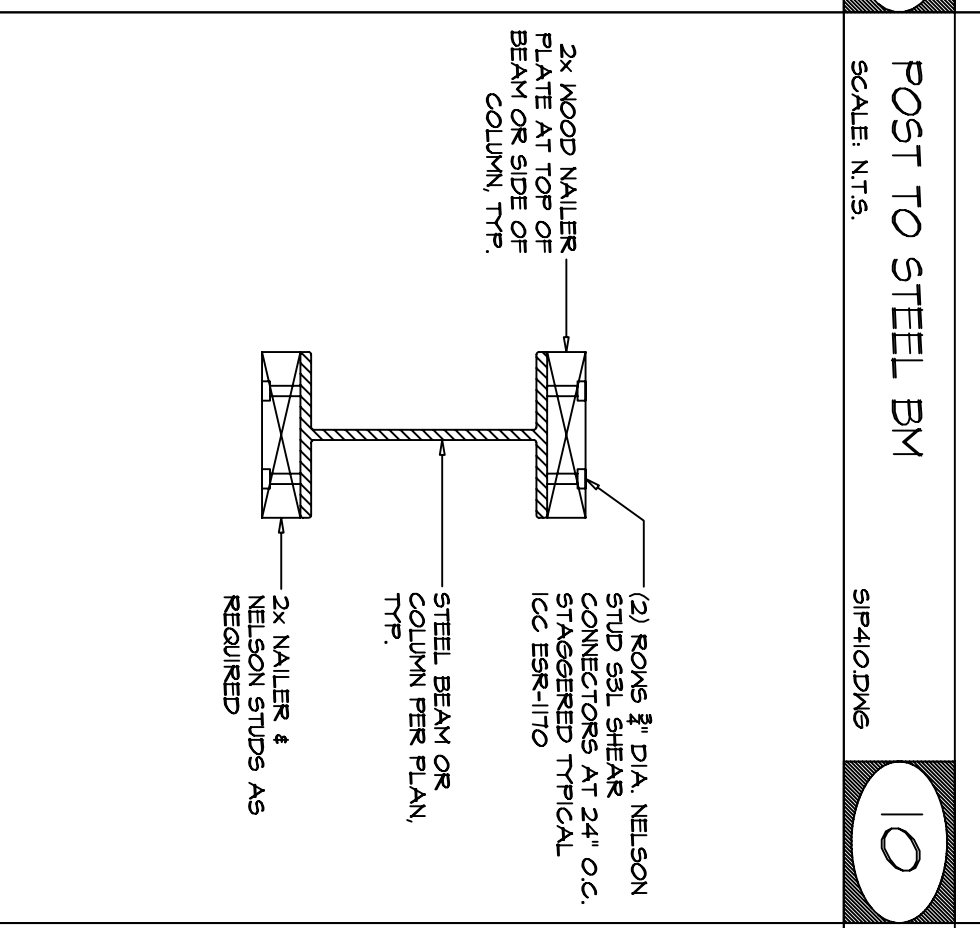
14A HARDY PANEL TO FLUSH STEEL BEAM SCALE: N.T.S.



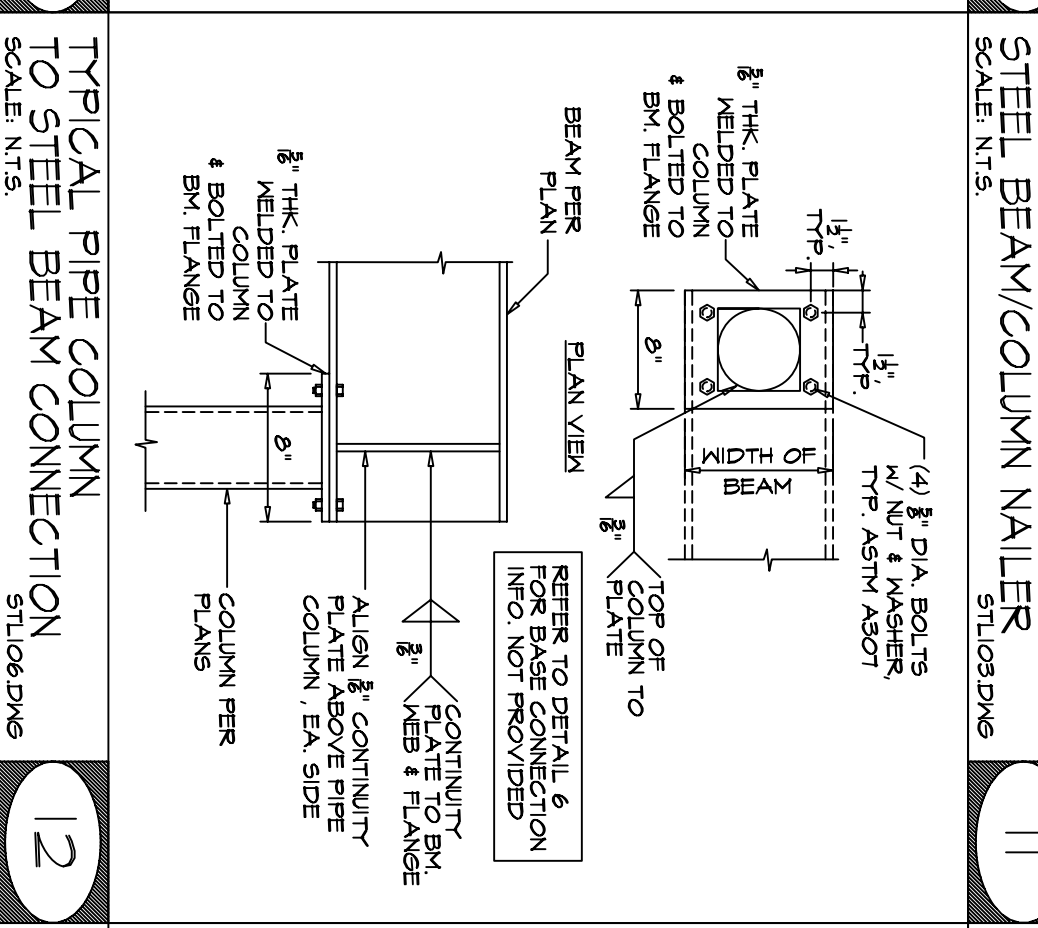
9 DRAG STRAP TO BEAM/JOIST CONNECTION SCALE: N.T.S.



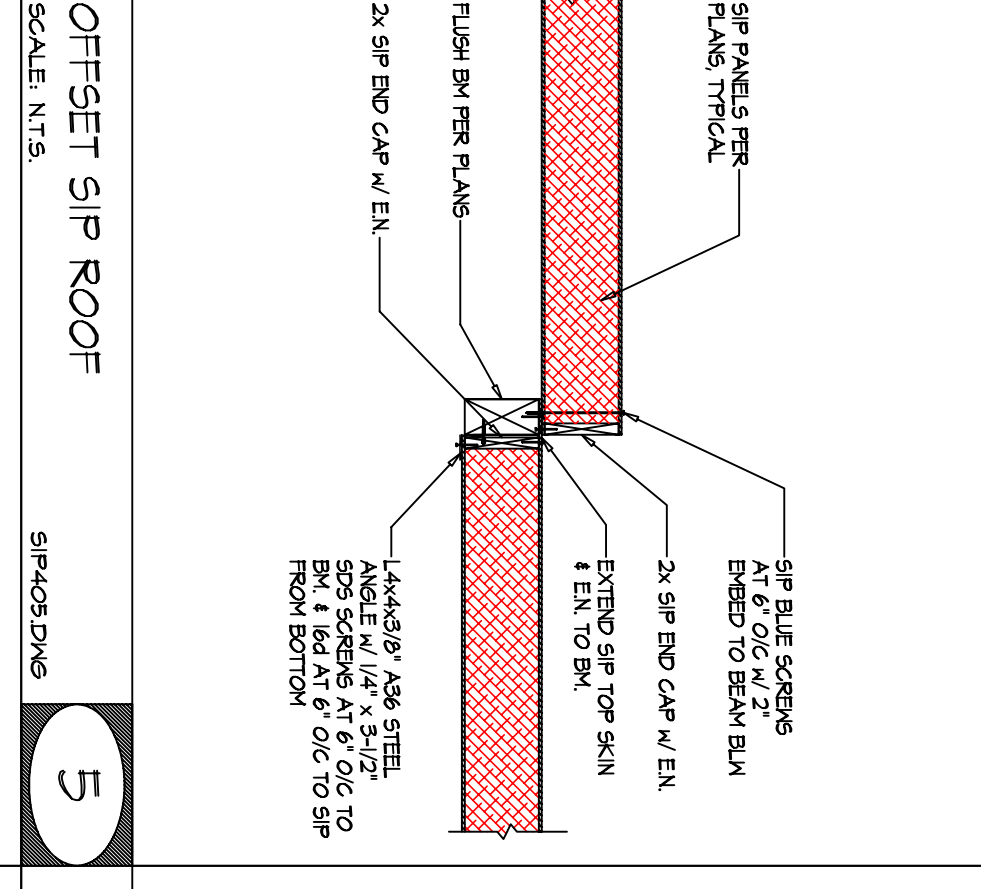
10 POST TO STEEL BM SCALE: N.T.S.



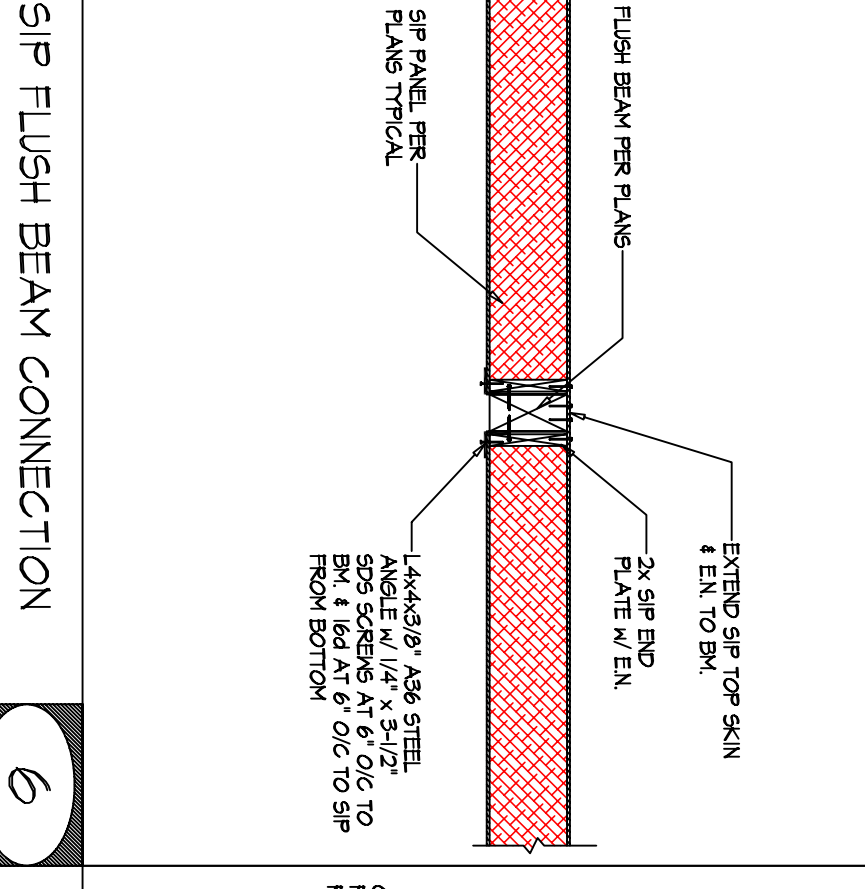
11 TYPICAL STEEL BEAM/COLUMN NAILER SCALE: N.T.S.



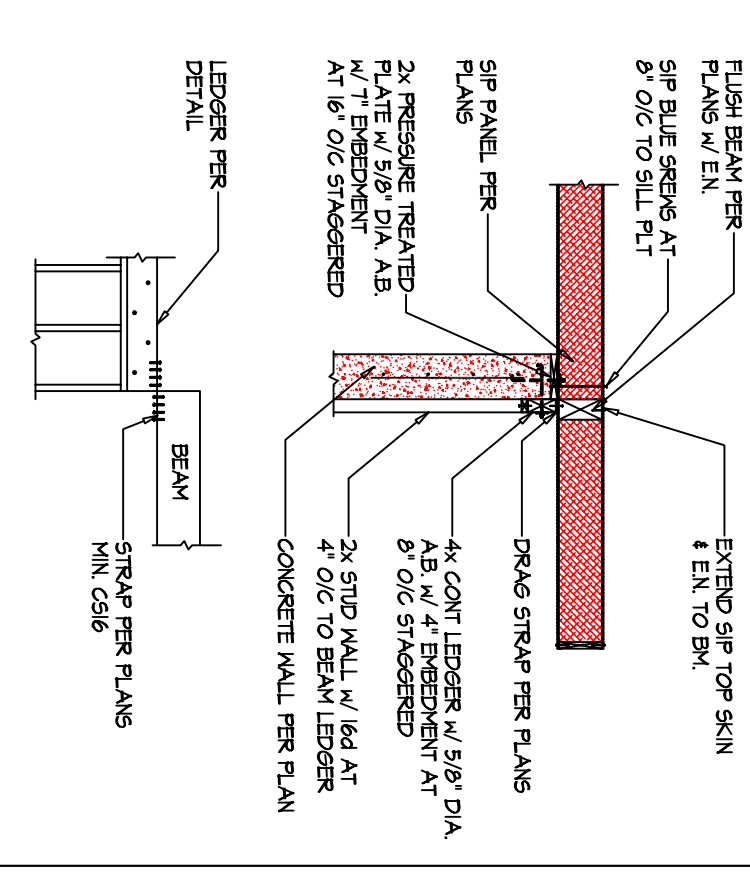
12 TYPICAL PIPE COLUMN TO STEEL BEAM CONNECTION SCALE: N.T.S.



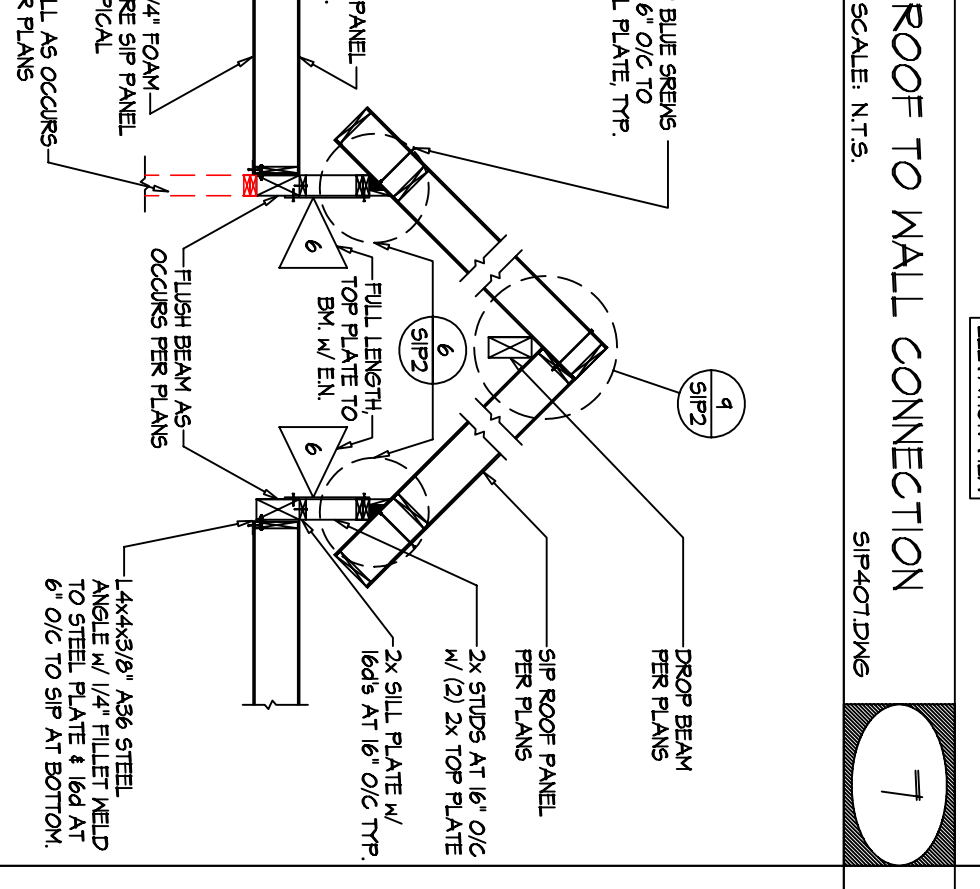
5 OFFSET SIP ROOF SCALE: N.T.S.



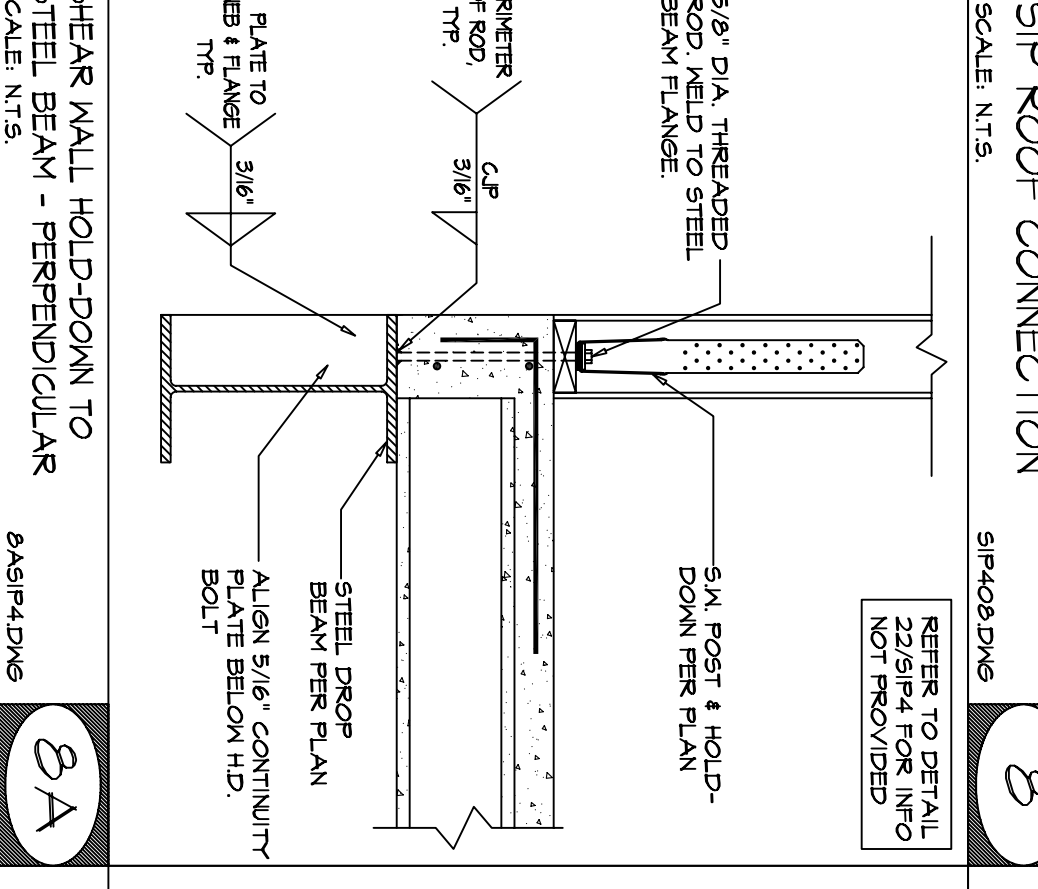
6 SIP FLUSH BEAM CONNECTION SCALE: N.T.S.



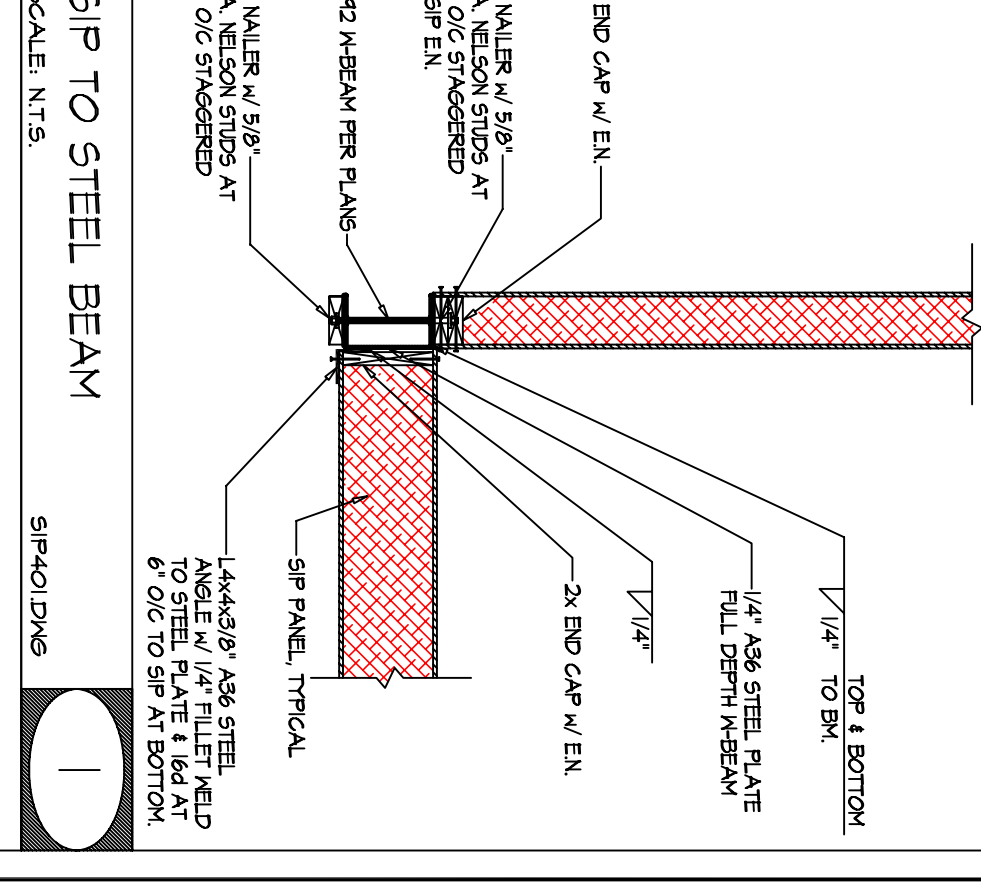
7 ROOF TO WALL CONNECTION SCALE: N.T.S.



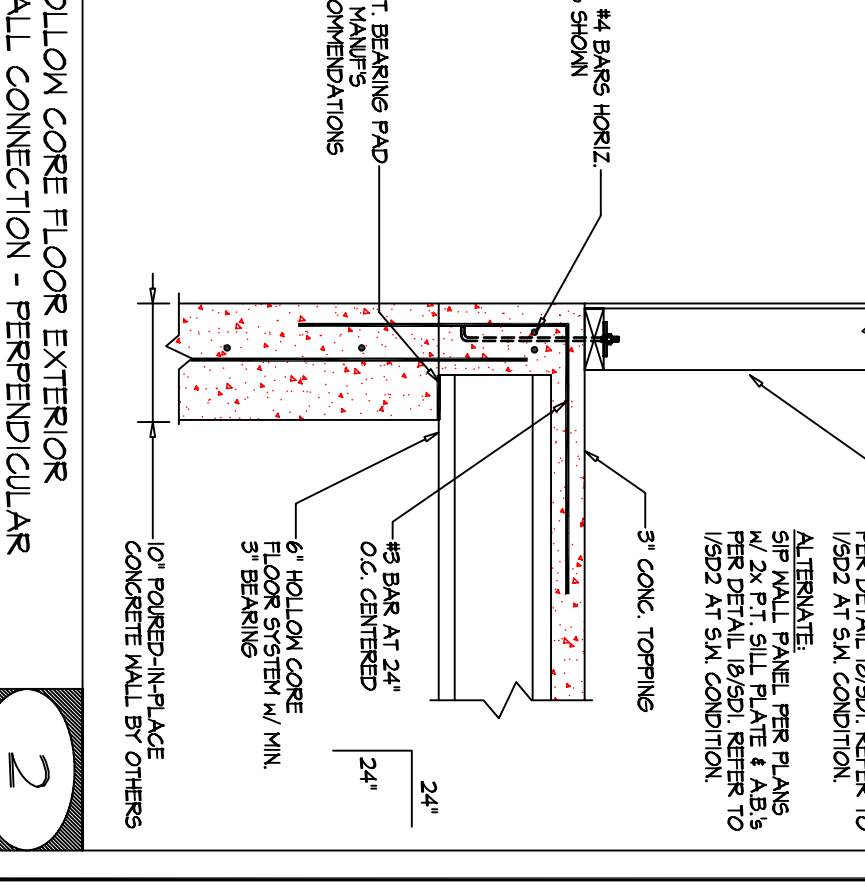
8 SIP ROOF CONNECTION SCALE: N.T.S.



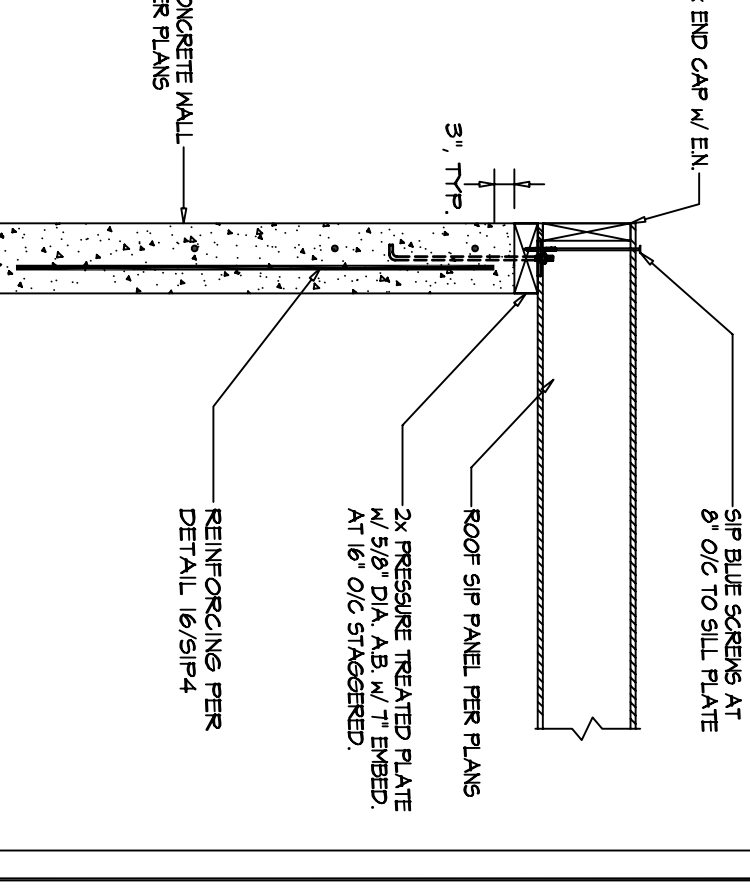
8A SHEAR WALL HOLD-DOWN TO STEEL BEAM - PERPENDICULAR SCALE: N.T.S.



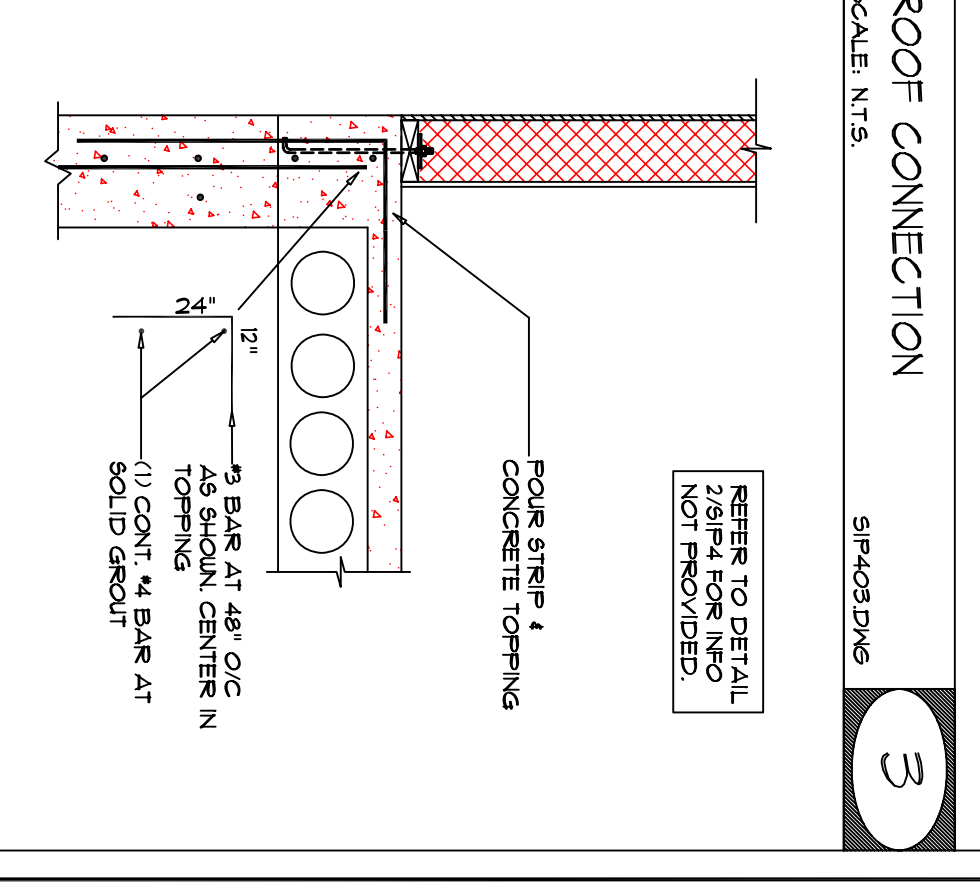
1 SIP TO STEEL BEAM SCALE: N.T.S.



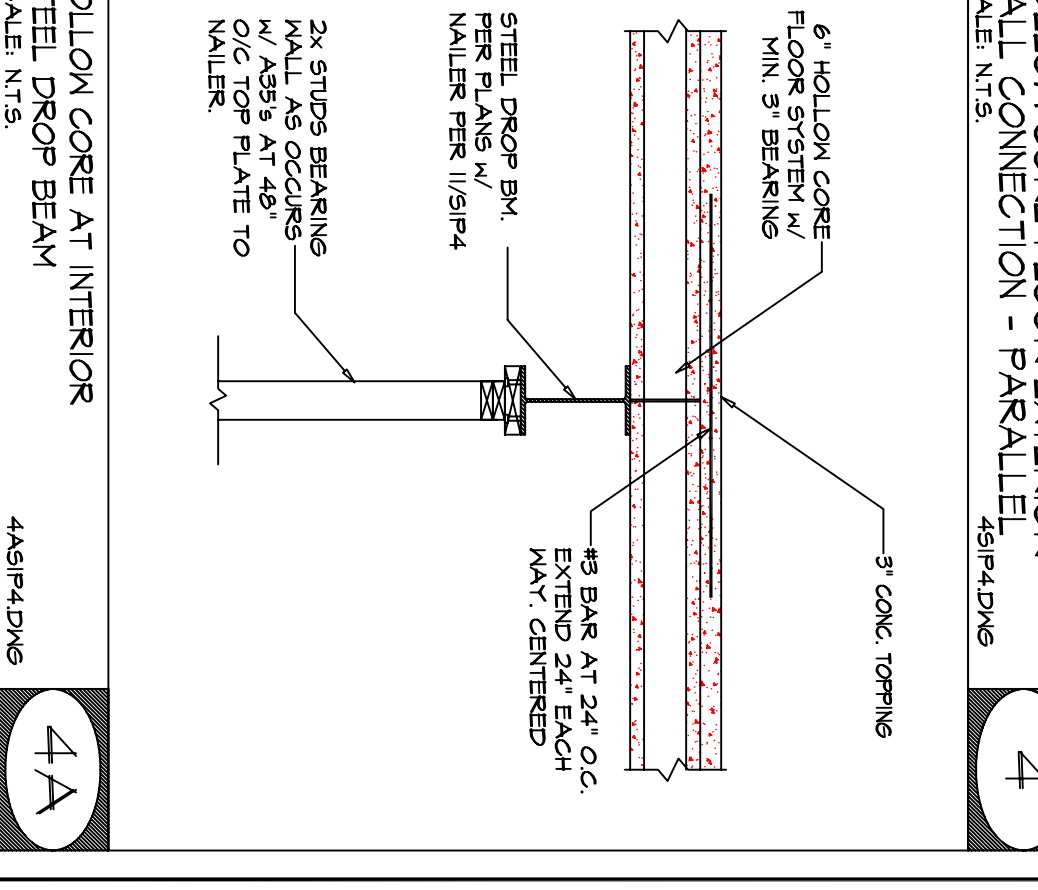
2 HOLLOW CORE FLOOR EXTERIOR WALL CONNECTION - PERPENDICULAR SCALE: N.T.S.



3 ROOF CONNECTION SCALE: N.T.S.



4 HOLLOW CORE FLOOR EXTERIOR WALL CONNECTION - PARALLEL SCALE: N.T.S.



4A HOLLOW CORE AT INTERIOR STEEL DROP BEAM SCALE: N.T.S.